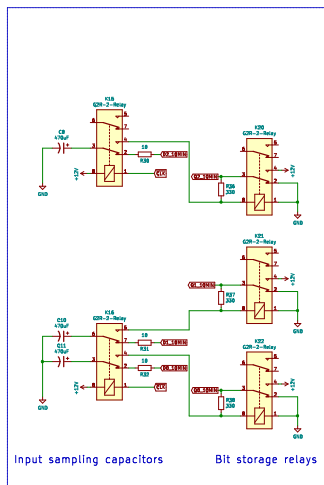
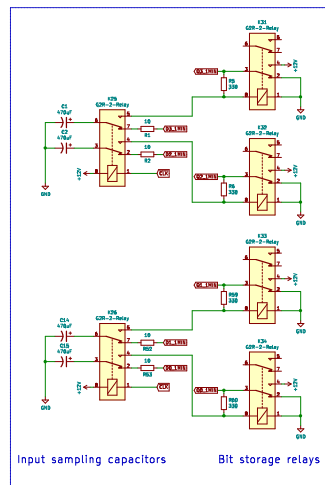


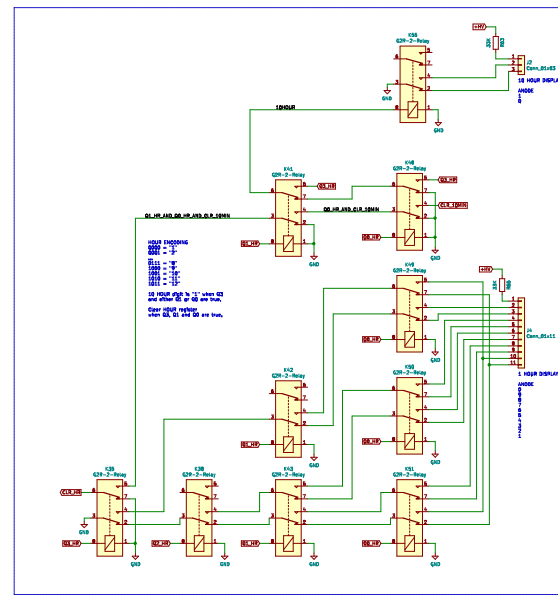
HOUR REGISTER



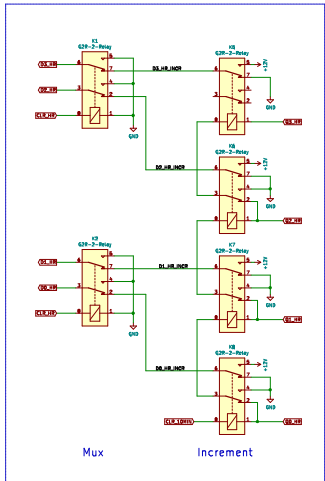
10 MIN REGISTER



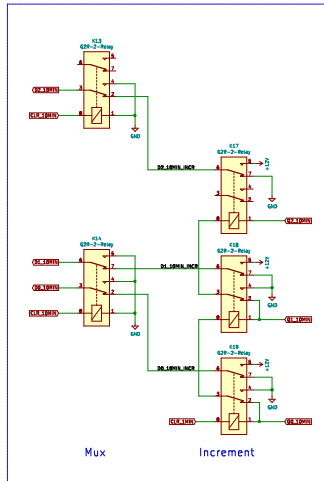
1 MIN REGISTER



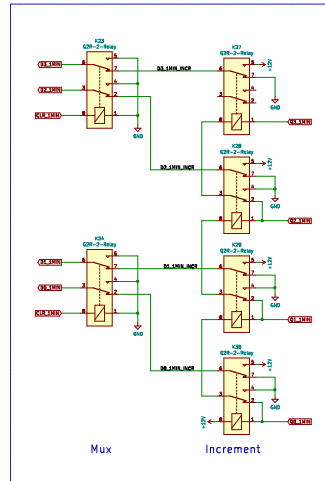
HOUR DECODER



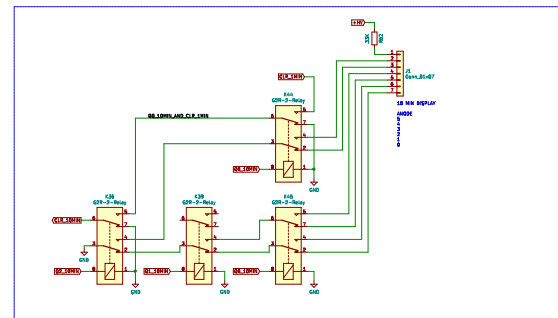
HOUR INCREMENT



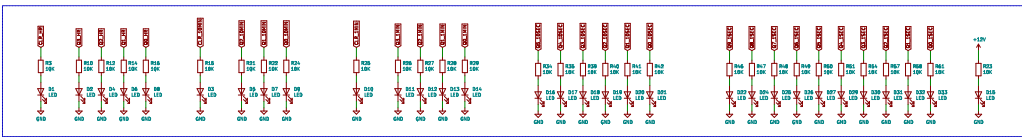
10 MIN INCREMENT



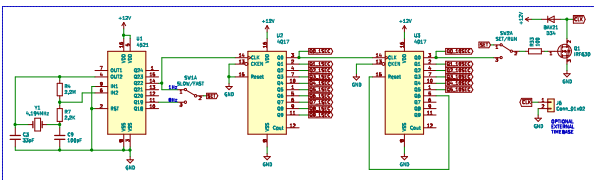
1 MIN INCREMENT



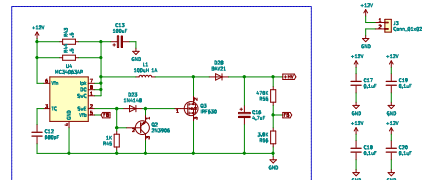
10 MIN DECODER



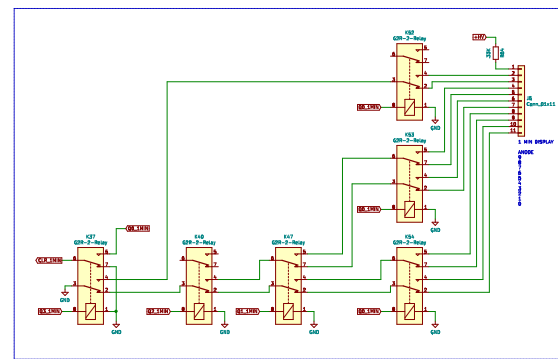
LED INDICATORS



TIMEBASE



NIXIE HV SUPPLY



1 MIN DECODER

12-hour 4-digit relay clock

Sheet 7			
Final circuit			
Title:			
Sheet 7 of 7	1	1	1
12-hour 4-digit relay clock	1	1	1